

RoadRunner

2019 Product Specification Book

(Updated January 1st, 2019)

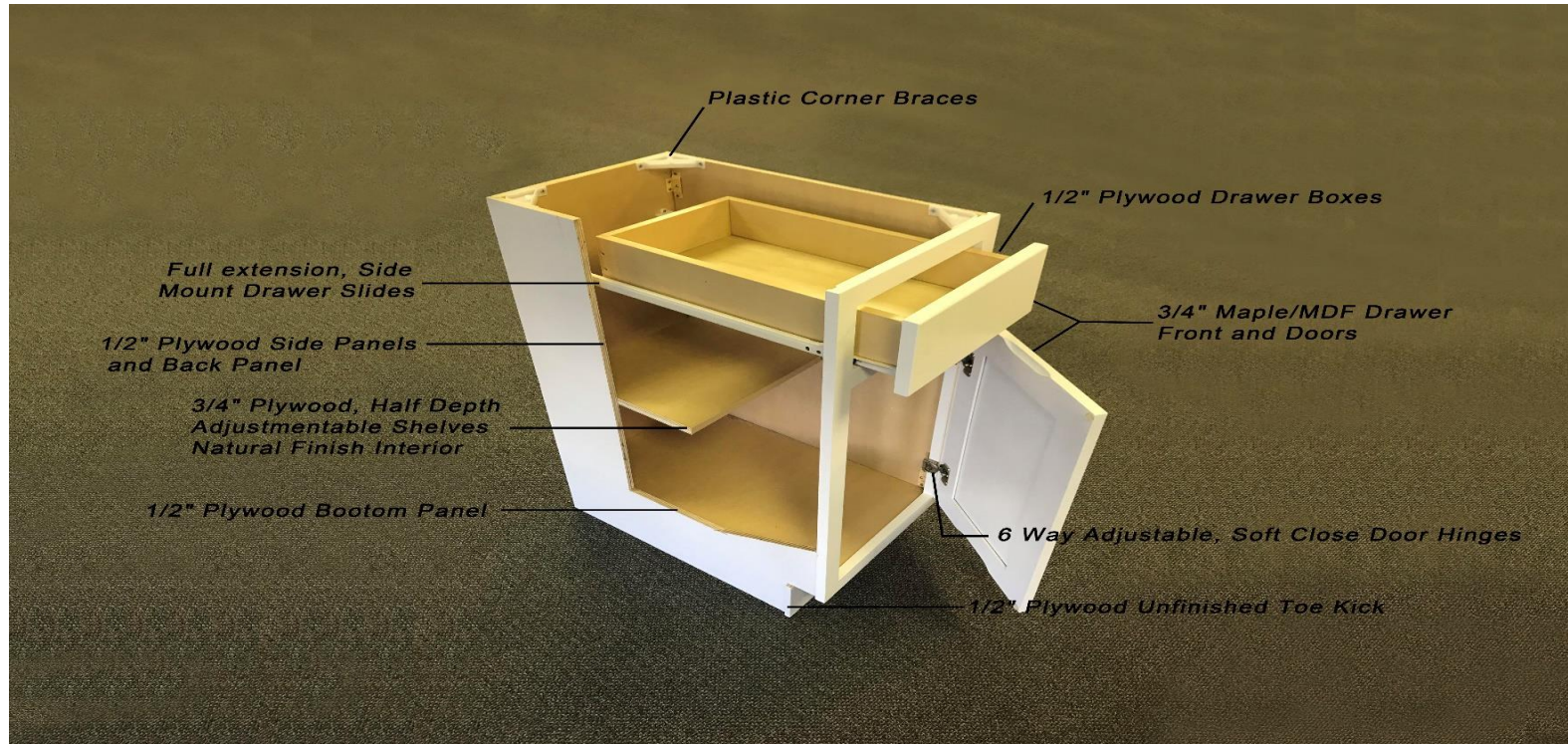


CFA Tips

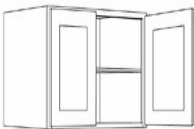
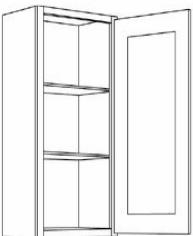
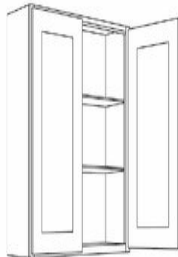
- * ALL carcasses are plywood construction
- * ALL carcass sides are finished with matching color
- * ALL drawer boxes are plywood boxes (5/8")
- * ALL drawer glides are 3/4-extension. (not soft close)
- * ALL door hinges are standard close (not soft close)
- * ALL face frames are 3/4" solid wood
- * ALL doors and drawer fronts are 3/4"
- * ALL doors and drawer fronts are stained solid wood or painter MDF.
- * ALL hinges are Soft Close, Nickel Plated 6-Way adjustable, frame mounted
- * ALL shelves are 3/4" plywood (Veneered edges)
- * ALL exposed surfaces are UV Coated
- * ALL door & drawer fronts are standard overlay with routed handles
- * ALL wall cabinets are invertible
- * ALL cabinets maximum width is 42" without Center Stiles *Exception: vanity combo VC48 & VC60
- *ALL lines have slab front top drawer fronts.


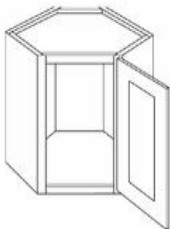
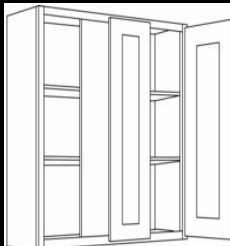
Cabinet Construction

Metal Clip Construction


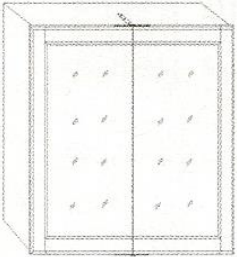


Wall CABINETS

12" Deep Bridge Cabinet - 2 doors			12" Deep Wall Cabinets - 1 door			12" Deep Wall Cabinets - 2 door		
	W3012	30" W 12" T 12" D		W0930	9" W 30" T 12" D		W2430	24" W 30" T 12" D
	W3015	30" W 15" T 12" D		W1230	12" W 30" T 12" D		W2730	27" W 30" T 12" D
	W3018	30" W 18" T 12" D		W1530	15" W 30" T 12" D		W3030	30" W 30" T 12" D
	W3021	30" W 21" T 12" D		W1830	18" W 30" T 12" D		W3330	33" W 30" T 12" D
	W3024	30" W 24" T 12" D		W2130	21" W 30" T 12" D		W3630	36" W 30" T 12" D
	W3315	33" W 15" T 12" D		W0936	9" W 36" T 12" D		W3930	39" W 30" T 12" D
	W3318	33" W 18" T 12" D		W1236	12" W 36" T 12" D		W4230	42" W 30" T 12" D
	W3612	30" W 12" T 12" D		W1536	15" W 36" T 12" D		W2436	24" W 36" T 12" D
	W3615	30" W 15" T 12" D		W1836	18" W 36" T 12" D		W2736	27" W 36" T 12" D
	W3618	30" W 18" T 12" D		W2136	21" W 36" T 12" D		W3036	30" W 36" T 12" D
	W3621	30" W 21" T 12" D					W3336	33" W 36" T 12" D
	W3624	30" W 24" T 12" D					W3636	36" W 36" T 12" D
							W3936	39" W 36" T 12" D
							W4236	42" W 36" T 12" D

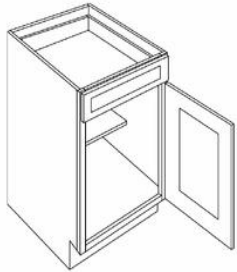
24" Deep Bridge Cabinet - 2 doors			24" Wall Diagonal Corner			Wall Blind Cabinet		
	W3015-24	30" W 15" T 24" D		WDC2430	24" W 30" T 12" D		WBC2730	27" W 30" T 12" D
	W3024-24	30" W 24" T 24" D		WDC2436	24" W 36" T 12" D		WBC2736	27" W 36" T 12" D
	W3615-24	30" W 15" T 24" D						
	W3618-24	30" W 18" T 24" D						
	W3624-24	30" W 24" T 24" D						

MEDICINE CABINETS

Single Door			Double Door					
	<p>MC1830</p> <p>SM1926</p>	<p>19" W 26" T 4" D</p> <p>18" W 30" T 4" D</p>		<p>MC2430</p> <p>MC3030</p> <p>MC3630</p>	<p>24" W 30" T 4" D</p> <p>30" W 30" T 4" D</p> <p>36" W 30" T 4" D</p>			

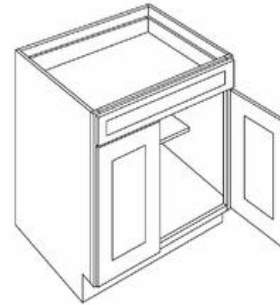
BASE & SINK BASE CABINETS

Base - (1) Door (1) Drawer



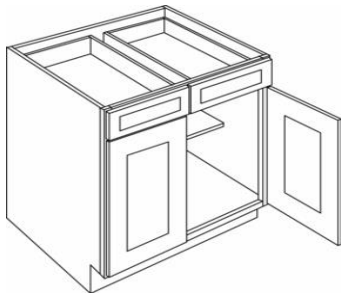
B09	9" W 34 1/2" T 24" D
B12	12" W 34 1/2" T 24" D
B15	15" W 34 1/2" T 24" D
B18	18" W 34 1/2" T 24" D
B21	21" W 34 1/2" T 24" D

Base - (2) Door (1) Drawer



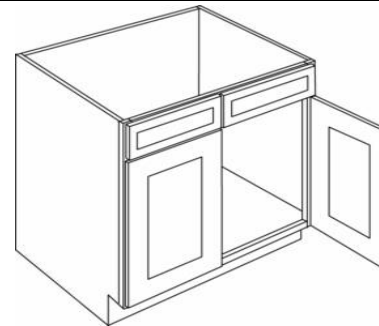
B24	24" W 34 1/2" T 24" D
B27	27" W 34 1/2" T 24" D

Base - (2) Door (2) Drawer



B30	30" W 34 1/2" T 24" D
B33	33" W 34 1/2" T 24" D
B36	36" W 34 1/2" T 24" D
B39	39" W 34 1/2" T 24" D
B42	42" W 34 1/2" T 24" D

Sink Base - (2) Door (1) False Drawer

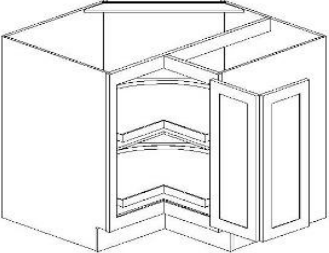


SB27	27" W 34 1/2" T 24" D
SB30	30" W 34 1/2" T 24" D
SB33	33" W 34 1/2" T 24" D
SB36	36" W 34 1/2" T 24" D
SB39	39" W 34 1/2" T 24" D
SB42	42" W 34 1/2" T 24" D

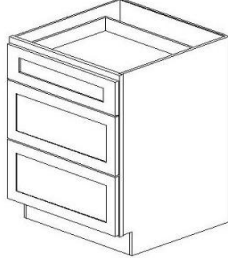
Order Notes: SB27 comes with one drawer front

CORNER AND DRAWER BANK CABINETS

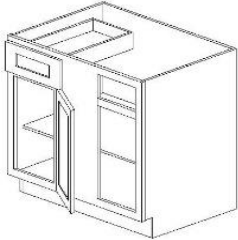
Lazy Susan (EZ Reach Base w/ Lazy Susan)

	LS36	12" doors, 36" backs, 24" sides
---	-------------	---------------------------------

Drawer Bank Base - (3) Drawer

	3DB12 3DB15 3DB18 3DB21 3DB24 3DB30	12" W 34 1/2" T 24" D 15" W 34 1/2" T 24" D 18" W 34 1/2" T 24" D 21" W 34 1/2" T 24" D 24" W 34 1/2" T 24" D 30" W 34 1/2" T 24" D
---	--	--

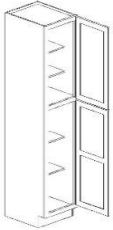
Blind Corner Base 37-40

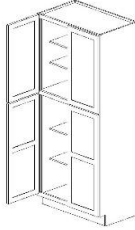
	BBC36-39 BBC39-42	27"W 34 1/2"T 24"D 36"W 34 1/2"T 24"D
---	--	--

Ordering Notes:

1.) Comes with two (2) wooden Lazy Susan Discs, standard.

PANTRY CABINETS

24" Depth (2) Door Pantry (18"W)		
	UP1884	18" W 84" T 24" D
	UP1890	18" W 90" T 24" D

24" Depth (4) Door Pantry (24"W & 30"W)		
	UP2484	24" W 84" T 24" D
	UP2490	24" W 90" T 24" D

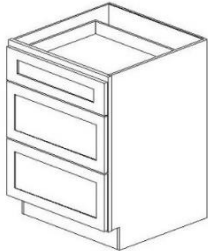
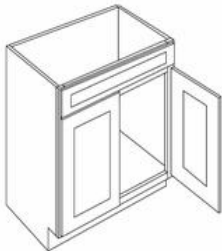
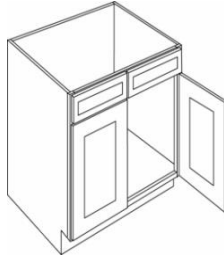
Ordering Notes:

- 1.) Upper Door, (84"=30") (90"=36")
- 2.) Shelves: (2) per 84" / (3) per 90"
- 3.) Bottom Door is always 54" from floor




Ordering Notes:

- 1.) Upper Door, (84"=30") (90"=36")
- 2.) Shelves: (2) per 84" / (3) per 90"
- 3.) Bottom Door is always 54" from floor

VANITY BASE CABINETS

Vanity Drawer Bank Base - (3) Drawer	Sink Base - (2) Door (1) False Drawer	Sink Base - (2) Door (2) False Drawer	
	VDB12	12" W 32" T 21" D	
	VDB15	15" W 32" T 21" D	
	VDB18	18" W 32" T 21" D	
	VSB24	24" W 32" T 21" D	
	VSB27	27" W 32" T 21" D	
	VSB30	30" W 32" T 21" D	
		VSB33	33" W 32" T 21" D
		VSB36	36" W 32" T 21" D
		VSB42	42" W 32" T 21" D

ACCESSORIES

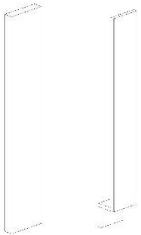


Dishwasher Panel			Refrigerator Panel			Toe Kick		
	DWP	24" Depth 34 1/2" Tall 3/4" Filler 3" W		RP2496	24" Depth 96" Tall 3/4" Filler 1.5" W		TK 1/4	1/4" Thick 96" Long 4 1/2" Tall
				RP3696	36" Depth 96" Tall 3/4" Filler 1.5" W		TK 1/2	1/2" Thick 96" Long 4 1/2" Tall

Ordering Notes:

1.) Finished Exterior to match (Interior Natural)

Ordering Notes:

1.) Veneer, stained to match

Straight Fillers			Touch-Up Kit			Skin(s)		
	WF3 WF6 BF3 BF6 TF3 TF6	3" W 42" T 6" W 42" T 3" W 34 1/2" T 6" W 34 1/2" T 3" W 96" T 6" W 96" T		TUKIT			BSK3696 BSK4836 BSK9636 TSK WSK BSK	36" W 96" T 48" wide, 36" tall 96" wide, 36" tall Tall Skin - 24" X 96" 12" X 42" 24" X 34 1/2"


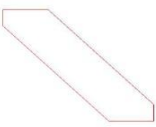

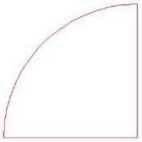

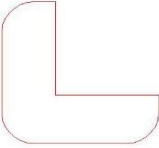
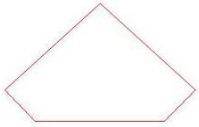


Ordering Notes:

1.) 3/4" solid material




Ordering Notes:

1.) 4mm Veneer

ACCESSORIES: MOLDINGS

Large Crown Shaker Style			Small Crown Shaker Style			Light Rail Shaker Style		
	CRM LG	3 1/4" T x 96" L		CRM SM	2 1/8" T x 96" L		LRM	1 7/8" T x 96" L
Quarter Round Molding			Furniture Base			Outside Corner Molding		
	QRM	1 1/16" W 1 1/16" T 96" L		FBM	3/4" T x 4-1/2" W x 96" L		OCM	3/4" x 3/4" x 96" L
Soffit Crown Shaker Style			Scribe Molding			Batten Molding		
	SFC	5/8" W 96" L		SCM	5/8" W 96" L		BM8	3/4" x 3/8" x 96" L




Extra Door

Door Front		Door Front		Door Front	
	DR-B09		DR-0930		DR-0936
	DR-B12		DR-1230		DR-1236
	DR-B15		DR-1530		DR-1536
	DR-B18		DR-1830		DR-1836
	DR-B21		DR-2130		DR-2136
	DR-B24		DR-2430		DR-2436
	DR-B27		DR-2730		DR-2736
	DR-B30		DR-3030		DR-3036
	DR-B33		DR-3330		DR-3336
	DR-B36		DR-3630		DR-3636
	DR-B39		DR-3930		DR-3936
	DR-B42		DR-4230		DR-4236

Single Door for Base Cabinet

Single Door for wall cabinet 30" high



Single Door for wall cabinet 36" high

Door Front		Drawer Front			
	DR-3012		DF-B09		DF-DB12-B
	DR-3015		DF-B12		DF-DB15-B
	DR-3018		DF-B15		DF-DB18-B
	DR-3021		DF-B18		DF-DB21-B
	DR-3024		DF-B21		DF-DB24-B
	DR-3315		DF-B24		DF-DB30-B
	DR-3318		DF-B27		
	DR-3612		DF-B30		
	DR-3615		DF-B33		
	DR-3618		DF-B36		
	DR-3621		DF-B39		
	DR-3624		DF-B42		

Single Door for Wall Bridge Cabinet

Single Drawer Front for Base or Vanity Cabinet

Single Drawer Front for Middle and Bottom on 3 drawer Base or Vanity Cabinet

Door Front For Pantry				Door Front For Lazy Susan	
					
	DR-UC1824-B				DR-LS36-DTD
	DR-UC2424-B				DR-LS36-DTC

Use DR-1830 or DR-1836 for top door
Use DR-2430 or DR-2436 for top door

DTD - Door To Door
DTD - Door To Cabinet